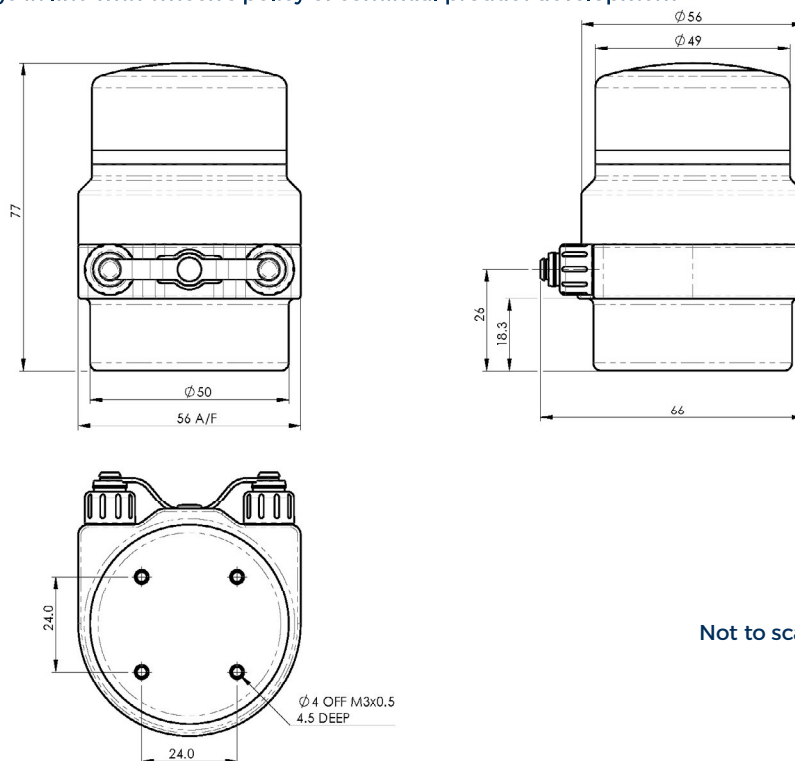


Acoustic Specifications	
Operating frequency	CHIRP centred on 700kHz
Beamwidth	35° vertical, 3° horizontal
Range	0.3m - 75m / 1.0ft - 247ft
Range resolution	approximately 7.5mm (minimum)
Mechanical resolution	0.45°, 0.9°, 1.8°, 3.6°
Scanning sector	Variable up to 360
Continuous 360° scan?	Yes
Sector offset mode?	Yes

Interface	
Power requirement	12 - 48V DC at 4VA (average)
Maximum cable length	1000m using RS485 (twisted pair)
Communication protocols	RS485 (2-wire, single drop) & RS232
Surface control	Computer using standard serial port, SeaHub or USB-RS232/RS485 converter
Control software	Genesis, Seanet Pro or low-level command protocol
Software features	True acoustic zoom, instant reversal, image measurement, inverted head operations

Physical specification	
Depth rating	750m standard, 3000m optional / 2461ft standard, 9843ft optional
Weight in air	0.32kg / 0.71lbs
Weight in water	0.18kg / 0.40lbs
Temperature rating (operating)	-10°C to 35°C / 14°F to 95°F
Temperature rating (storage)	-20°C to 50°C / 4°F to 122°F

Specification subject to change in line with Trittech's policy of continual product development



Not to scale. Measurements in mm.