

# Original MC4-Evo 2

**Renewable Energy | Solar Photovoltaics**

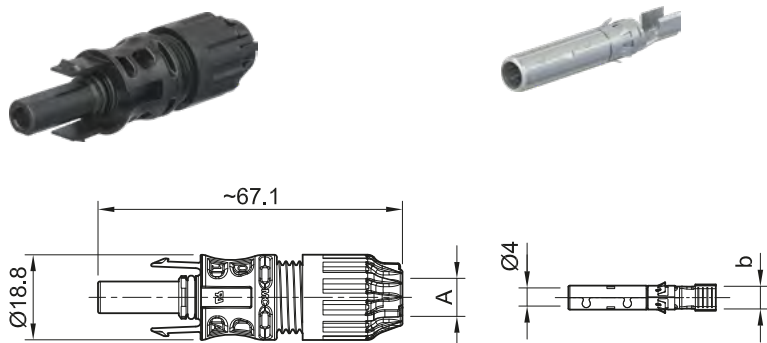
EN



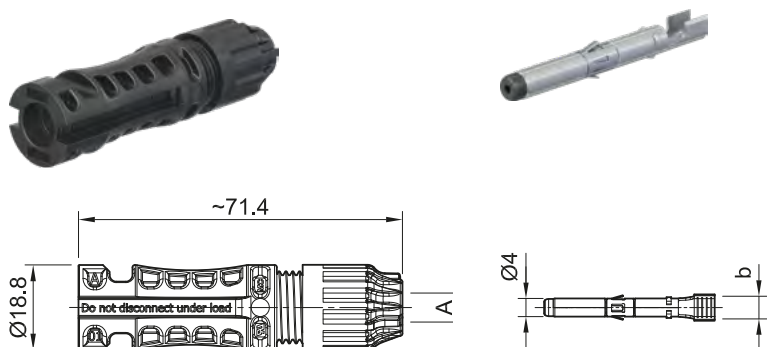
# Female and male cable coupler MC4-Evo 2

Female and male cable coupler as individual part (including insulating part)

PV-KBT4-EVO 2A/...



PV-KST4-EVO 2A/...



Sealing caps see catalog tools and accessories, page 21

Tools see catalog tools and accessories, page 4 – 16

[www.staubli.com/re-downloads.html](http://www.staubli.com/re-downloads.html) → English → Catalog → Tools and accessories



Assembly instructions see MA298

[www.staubli.com/re-downloads.html](http://www.staubli.com/re-downloads.html) → English → Assembly info → MA298

Internationally certified with IEC, UL, JET, cTÜVus. Approved for DC 1500 V (IEC, JET), DC 1500 V (UL) unrestricted access. MULTILAM Technology, has proven the

quality and durability several 100 million times since 2004. Suited for all climatic environments due to UV resistance, ammonia and high IP degree. Available as a field and

preassembled connector, standard crimping tools can be used. Mating compatibility with MC4 connector family.

| Technical data                                                             |                              |
|----------------------------------------------------------------------------|------------------------------|
| Connector system                                                           | Ø 4 mm                       |
| Ambient temperature range                                                  | -40 °C ... +85 °C (IEC/UL)   |
| Transportation/storage temperature range                                   | -30 °C/+60 °C                |
| Transportation/storage relative humidity                                   | < 70 %                       |
| Upper limiting temperature                                                 | 115 °C (IEC)                 |
| Degree of protection, mated                                                | IP65/IP68 (1 m, 1 h)         |
| Degree of protection, unmated                                              | IP2X                         |
| Overvoltage category                                                       | III                          |
| Contact resistance of plug connectors                                      | < 0.2 mΩ                     |
| Locking system                                                             | Locking type                 |
| Class (IEC)                                                                | II                           |
| Contact system                                                             | MULTILAM                     |
| Type of termination                                                        | Crimping                     |
| Warning                                                                    | Do not disconnect under load |
| Contact material                                                           | Copper, tin plated           |
| Insulation material                                                        | PA                           |
| Flame class                                                                | UL94-V0                      |
| Ammonia resistance<br>(TÜV Rheinland certified acc. to 2 PFG 1911/03.2011) | Q60139020-0001               |
| TÜV-Rheinland certified according to<br>IEC 62852:2014+Amd.1:2020          | R 60127169                   |
| UL recognized component in accordance with UL6703                          | E343181                      |
| Maximum altitude above sea level for operation                             | 5000 m                       |
| Temperature Level according to IEC TS 63126                                | Level 2                      |

# Female and male cable coupler MC4-Evo 2

Female and male cable coupler as individual part (including insulating part)

| Order No.    | Type                 | Socket | Plug | Outer diameter of cable | Width of crimp opening | IEC 62852       |      |    | UL 6703 |      |    | Approvals     |    |
|--------------|----------------------|--------|------|-------------------------|------------------------|-----------------|------|----|---------|------|----|---------------|----|
|              |                      |        |      |                         |                        | mm <sup>2</sup> | DC V | A  | AWG     | DC V | A  | TÜV Rheinland | UR |
|              |                      |        |      |                         |                        |                 |      |    |         |      |    |               |    |
| 32.0310P0001 | PV-KBT4-EVO 2A/2.5I  | x      |      | 4.7-6.4                 | 4                      | 2.5             | 1500 | 39 |         |      |    | x             | x  |
|              |                      |        |      |                         |                        |                 |      |    | 14      | 1500 | 30 |               |    |
| 32.0311P0001 | PV-KST4-EVO 2A/2.5I  |        | x    | 4.7-6.4                 | 4                      | 2.5             | 1500 | 39 |         |      |    | x             | x  |
|              |                      |        |      |                         |                        |                 |      |    | 14      | 1500 | 30 |               |    |
| 32.0312P0001 | PV-KBT4-EVO 2A/2.5X  | x      |      | 5.9-7.3                 | 4                      | 2.5             | 1500 | 39 |         |      |    | x             | x  |
|              |                      |        |      |                         |                        |                 |      |    | 14      | 1500 | 30 |               |    |
| 32.0313P0001 | PV-KST4-EVO 2A/2.5X  |        | x    | 5.9-7.3                 | 4                      | 2.5             | 1500 | 39 |         |      |    | x             | x  |
|              |                      |        |      |                         |                        |                 |      |    | 14      | 1500 | 30 |               |    |
| 32.0314P0001 | PV-KBT4-EVO 2A/2.5II | x      |      | 6.4-8.4                 | 4                      | 2.5             | 1500 | 39 |         |      |    | x             | x  |
|              |                      |        |      |                         |                        |                 |      |    | 14      | 1500 | 30 |               |    |
| 32.0315P0001 | PV-KST4-EVO 2A/2.5II |        | x    | 6.4-8.4                 | 4                      | 2.5             | 1500 | 39 |         |      |    | x             | x  |
|              |                      |        |      |                         |                        |                 |      |    | 14      | 1500 | 30 |               |    |
| 32.0316P0001 | PV-KBT4-EVO 2A/6I    | x      |      | 4.7-6.4                 | 5.8                    | 4               | 1500 | 45 |         |      |    | x             | x  |
|              |                      |        |      |                         |                        | 6               | 1500 | 53 |         |      |    |               |    |
|              |                      |        |      |                         |                        |                 |      |    | 12      | 1500 | 35 |               |    |
|              |                      |        |      |                         |                        |                 |      |    | 10      | 1500 | 50 |               |    |
| 32.0317P0001 | PV-KST4-EVO 2A/6I    |        | x    | 4.7-6.4                 | 5.8                    | 4               | 1500 | 45 |         |      |    | x             | x  |
|              |                      |        |      |                         |                        | 6               | 1500 | 53 |         |      |    |               |    |
|              |                      |        |      |                         |                        |                 |      |    | 12      | 1500 | 35 |               |    |
|              |                      |        |      |                         |                        |                 |      |    | 10      | 1500 | 50 |               |    |
| 32.0318P0001 | PV-KBT4-EVO 2A/6X    | x      |      | 5.9-7.3                 | 5.8                    | 4               | 1500 | 45 |         |      |    | x             | x  |
|              |                      |        |      |                         |                        | 6               | 1500 | 53 |         |      |    |               |    |
|              |                      |        |      |                         |                        |                 |      |    | 12      | 1500 | 35 |               |    |
|              |                      |        |      |                         |                        |                 |      |    | 10      | 1500 | 50 |               |    |
| 32.0319P0001 | PV-KST4-EVO 2A/6X    |        | x    | 5.9-7.3                 | 5.8                    | 4               | 1500 | 45 |         |      |    | x             | x  |
|              |                      |        |      |                         |                        | 6               | 1500 | 53 |         |      |    |               |    |
|              |                      |        |      |                         |                        |                 |      |    | 12      | 1500 | 35 |               |    |
|              |                      |        |      |                         |                        |                 |      |    | 10      | 1500 | 50 |               |    |

**Note:**

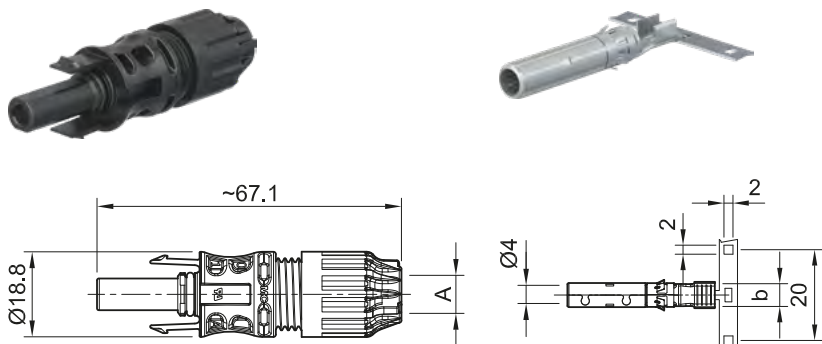
For detailed information concerning the suitable cable gland range, please consult MA298.

| Order No.    | Type                | Socket | Plug | Outer diameter of cable | Width of crimp opening | IEC 62852       |      |    | UL 6703 |      |    | Approvals     |    |
|--------------|---------------------|--------|------|-------------------------|------------------------|-----------------|------|----|---------|------|----|---------------|----|
|              |                     |        |      |                         |                        | mm <sup>2</sup> | DC V | A  | AWG     | DC V | A  | TÜV Rheinland | UR |
|              |                     |        |      |                         |                        |                 |      |    |         |      |    |               |    |
| 32.0320P0001 | PV-KBT4-EVO 2A/6II  | x      |      | 6.4-8.4                 | 5.8                    | 4               | 1500 | 45 |         |      |    | x             | x  |
|              |                     |        |      |                         |                        | 6               | 1500 | 53 |         |      |    |               |    |
|              |                     |        |      |                         |                        |                 |      |    | 12      | 1500 | 35 |               |    |
|              |                     |        |      |                         |                        |                 |      |    | 10      | 1500 | 50 |               |    |
| 32.0321P0001 | PV-KST4-EVO 2A/6II  |        | x    | 6.4-8.4                 | 5.8                    | 4               | 1500 | 45 |         |      |    | x             | x  |
|              |                     |        |      |                         |                        | 6               | 1500 | 53 |         |      |    |               |    |
|              |                     |        |      |                         |                        |                 |      |    | 12      | 1500 | 35 |               |    |
|              |                     |        |      |                         |                        |                 |      |    | 10      | 1500 | 50 |               |    |
| 32.0322P0001 | PV-KBT4-EVO 2A/10X  | x      |      | 5.9-7.3                 | 6.5                    | 10              | 1500 | 69 |         |      |    | x             | x  |
|              |                     |        |      |                         |                        |                 |      |    | 8       | 1500 | 70 |               |    |
| 32.0323P0001 | PV-KST4-EVO 2A/10X  |        | x    | 5.9-7.3                 | 6.5                    | 10              | 1500 | 69 |         |      |    | x             | x  |
|              |                     |        |      |                         |                        |                 |      |    | 8       | 1500 | 70 |               |    |
| 32.0324P0001 | PV-KBT4-EVO 2A/10II | x      |      | 6.4-8.4                 | 6.5                    | 10              | 1500 | 69 |         |      |    | x             | x  |
|              |                     |        |      |                         |                        |                 |      |    | 8       | 1500 | 70 |               |    |
| 32.0325P0001 | PV-KST4-EVO 2A/10II |        | x    | 6.4-8.4                 | 6.5                    | 10              | 1500 | 69 |         |      |    | x             | x  |
|              |                     |        |      |                         |                        |                 |      |    | 8       | 1500 | 70 |               |    |

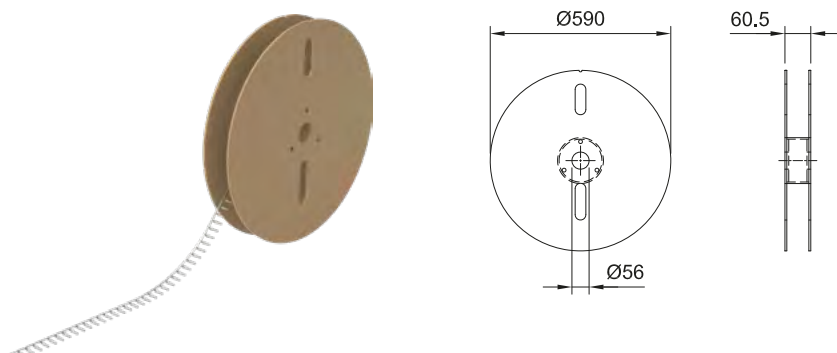
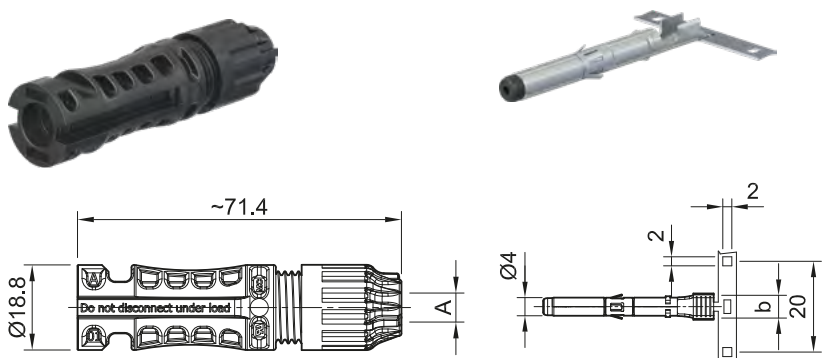
# Female and male cable coupler MC4-Evo 2

Contacts on carrier band (including insulating part)

PV-KBT4-EVO 2A/...



PV-KST4-EVO 2A/...



Sealing caps see catalog tools and accessories, page 21

Tools see catalog tools and accessories, page 4 – 16

[www.staubli.com/re-downloads.html](http://www.staubli.com/re-downloads.html) → English → Catalog → Tools and accessories



Assembly instructions see MA298

[www.staubli.com/re-downloads.html](http://www.staubli.com/re-downloads.html) → English → Assembly info → MA298

Internationally certified with IEC, UL, JET, cTÜVus. Approved for DC 1500 V (IEC, JET), DC 1500 V (UL) unrestricted access. MULTILAM Technology has proven the qual-

ity and durability several 100 million times since 2004. Suited for all climatic environments due to UV resistance, ammonia and high IP degree. Available as a field and pre-

assembled connector; standard crimping tools can be used. Mating compatibility with MC4 connector family.

| Technical data                                                             |                                                   |
|----------------------------------------------------------------------------|---------------------------------------------------|
| Connector system                                                           | Ø 4 mm                                            |
| Ambient temperature range                                                  | -40 °C ... +85 °C (IEC)<br>-40 °C ... +90 °C (UL) |
| Transportation/storage temperature range                                   | -30 °C/+60 °C                                     |
| Transportation/storage relative humidity                                   | < 70 %                                            |
| Upper limiting temperature                                                 | 115 °C                                            |
| Degree of protection, mated                                                | IP65/IP68 (1 m, 1 h)                              |
| Degree of protection, unmated                                              | IP2X                                              |
| Overvoltage category                                                       | III                                               |
| Contact resistance of plug connectors                                      | < 0.2 mΩ                                          |
| Locking system                                                             | Locking type                                      |
| Class (IEC)                                                                | II                                                |
| Contact system                                                             | MULTILAM                                          |
| Type of termination                                                        | Crimping                                          |
| Warning                                                                    | Do not disconnect under load                      |
| Contact material                                                           | Copper, tin plated                                |
| Insulation material                                                        | PA                                                |
| Flame class                                                                | UL94-V0                                           |
| Ammonia resistance<br>(TÜV Rheinland certified acc. to 2 PFG 1911/03.2011) | Q60139020-0001                                    |
| TÜV-Rheinland certified according to<br>IEC 62852:2014+Amd.1:2020          | R 60127169                                        |
| UL recognized component in accordance with UL6703                          | E343181                                           |
| Maximum altitude above sea level for operation                             | 5000 m                                            |
| Temperature Level according to IEC TS 63126                                | Level 2                                           |

# Female and male cable coupler MC4-Evo 2

Contacts on carrier band (including insulating part)

| Order No.    | Type                 | Socket | Plug | Outer diameter of cable | Width of crimp opening | IEC 62852       |      |    | UL 6703 |      |    | Contacts per reel | Approvals     |    |
|--------------|----------------------|--------|------|-------------------------|------------------------|-----------------|------|----|---------|------|----|-------------------|---------------|----|
|              |                      |        |      |                         |                        | mm <sup>2</sup> | DC V | A  | AWG     | DC V | A  |                   | TÜV Rheinland | UR |
|              |                      |        |      | A (mm)                  | b (mm)                 |                 |      |    |         |      |    |                   |               |    |
| 32.0310P2000 | PV-KBT4-EVO 2A/2.5I  | x      |      | 4.7-6.4                 | 4.0                    | 2.5             | 1500 | 39 |         |      |    | 2000              | x             | x  |
|              |                      |        |      |                         |                        |                 |      |    | 14      | 1500 | 30 |                   |               |    |
| 32.0311P2000 | PV-KST4-EVO 2A/2.5I  |        | x    | 4.7-6.4                 | 4.0                    | 2.5             | 1500 | 39 |         |      |    | 2000              | x             | x  |
|              |                      |        |      |                         |                        |                 |      |    | 14      | 1500 | 30 |                   |               |    |
| 32.0312P2000 | PV-KBT4-EVO 2A/2.5X  | x      |      | 5.9-7.3                 | 4.0                    | 2.5             | 1500 | 39 |         |      |    | 2000              | x             | x  |
|              |                      |        |      |                         |                        |                 |      |    | 14      | 1500 | 30 |                   |               |    |
| 32.0313P2000 | PV-KST4-EVO 2A/2.5X  |        | x    | 5.9-7.3                 | 4.0                    | 2.5             | 1500 | 39 |         |      |    | 2000              | x             | x  |
|              |                      |        |      |                         |                        |                 |      |    | 14      | 1500 | 30 |                   |               |    |
| 32.0314P2000 | PV-KBT4-EVO 2A/2.5II | x      |      | 6.4-8.4                 | 4.0                    | 2.5             | 1500 | 39 |         |      |    | 2000              | x             | x  |
|              |                      |        |      |                         |                        |                 |      |    | 14      | 1500 | 30 |                   |               |    |
| 32.0315P2000 | PV-KST4-EVO 2A/2.5II |        | x    | 6.4-8.4                 | 4.0                    | 2.5             | 1500 | 39 |         |      |    | 2000              | x             | x  |
|              |                      |        |      |                         |                        |                 |      |    | 14      | 1500 | 30 |                   |               |    |
| 32.0316P2000 | PV-KBT4-EVO 2A/6I    | x      |      | 4.7-6.4                 | 5.8                    | 4               | 1500 | 45 |         |      |    | 2000              | x             | x  |
|              |                      |        |      |                         |                        | 6               | 1500 | 53 |         |      |    |                   |               |    |
|              |                      |        |      |                         |                        |                 |      |    | 12      | 1500 | 35 |                   |               |    |
|              |                      |        |      |                         |                        |                 |      |    | 10      | 1500 | 50 |                   |               |    |
| 32.0317P2000 | PV-KST4-EVO 2A/6I    |        | x    | 4.7-6.4                 | 5.8                    | 4               | 1500 | 45 |         |      |    | 2000              | x             | x  |
|              |                      |        |      |                         |                        | 6               | 1500 | 53 |         |      |    |                   |               |    |
|              |                      |        |      |                         |                        |                 |      |    | 12      | 1500 | 35 |                   |               |    |
|              |                      |        |      |                         |                        |                 |      |    | 10      | 1500 | 50 |                   |               |    |
| 32.0318P2000 | PV-KBT4-EVO 2A/6X    | x      |      | 5.9-7.3                 | 5.8                    | 4               | 1500 | 45 |         |      |    | 2000              | x             | x  |
|              |                      |        |      |                         |                        | 6               | 1500 | 53 |         |      |    |                   |               |    |
|              |                      |        |      |                         |                        |                 |      |    | 12      | 1500 | 35 |                   |               |    |
|              |                      |        |      |                         |                        |                 |      |    | 10      | 1500 | 50 |                   |               |    |
| 32.0319P2000 | PV-KST4-EVO 2A/6X    |        | x    | 5.9-7.3                 | 5.8                    | 4               | 1500 | 45 |         |      |    | 2000              | x             | x  |
|              |                      |        |      |                         |                        | 6               | 1500 | 53 |         |      |    |                   |               |    |
|              |                      |        |      |                         |                        |                 |      |    | 12      | 1500 | 35 |                   |               |    |
|              |                      |        |      |                         |                        |                 |      |    | 10      | 1500 | 50 |                   |               |    |

**Note:**

For more detailed information concerning the suitable cable gland range, please consult MA298.

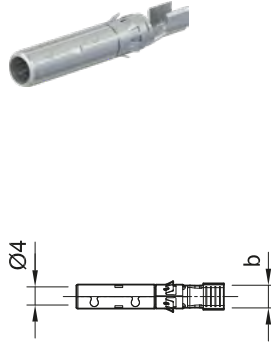
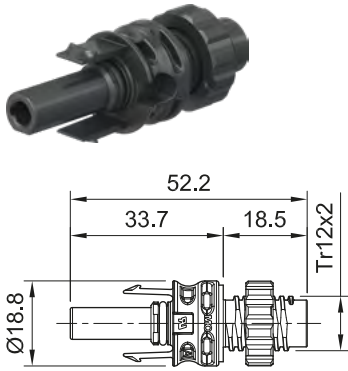


| Order No.           | Type                | Socket | Plug | Outer diameter of cable | Width of crimp opening | IEC 62852       |      |    | UL 6703 |      |    | Contacts per reel | Approvals     |    |
|---------------------|---------------------|--------|------|-------------------------|------------------------|-----------------|------|----|---------|------|----|-------------------|---------------|----|
|                     |                     |        |      |                         |                        | mm <sup>2</sup> | DC V | A  | AWG     | DC V | A  |                   | TÜV Rheinland | UR |
|                     |                     |        |      | A (mm)                  | b (mm)                 |                 |      |    |         |      |    |                   |               |    |
| <b>32.0320P2000</b> | PV-KBT4-EVO 2A/6II  | x      |      | 6.4-8.4                 | 5.8                    | 4               | 1500 | 45 |         |      |    | 2000              | x             | x  |
|                     |                     |        |      |                         |                        | 6               | 1500 | 53 |         |      |    |                   |               |    |
|                     |                     |        |      |                         |                        |                 |      |    | 12      | 1500 | 35 |                   |               |    |
|                     |                     |        |      |                         |                        |                 |      |    | 10      | 1500 | 50 |                   |               |    |
| <b>32.0321P2000</b> | PV-KST4-EVO 2A/6II  |        | x    | 6.4-8.4                 | 5.8                    | 4               | 1500 | 45 |         |      |    | 2000              | x             | x  |
|                     |                     |        |      |                         |                        | 6               | 1500 | 53 |         |      |    |                   |               |    |
|                     |                     |        |      |                         |                        |                 |      |    | 12      | 1500 | 35 |                   |               |    |
|                     |                     |        |      |                         |                        |                 |      |    | 10      | 1500 | 50 |                   |               |    |
| <b>32.0322P1500</b> | PV-KBT4-EVO 2A/10X  | x      |      | 5.9-7.3                 | 6.5                    | 10              | 1500 | 69 |         |      |    | 1500              | x             | x  |
|                     |                     |        |      |                         |                        |                 |      |    | 8       | 1500 | 70 |                   |               |    |
| <b>32.0323P1500</b> | PV-KST4-EVO 2A/10X  |        | x    | 5.9-7.3                 | 6.5                    | 10              | 1500 | 69 |         |      |    | 1500              | x             | x  |
|                     |                     |        |      |                         |                        |                 |      |    | 8       | 1500 | 70 |                   |               |    |
| <b>32.0324P1500</b> | PV-KBT4-EVO 2A/10II | x      |      | 6.4-8.4                 | 6.5                    | 10              | 1500 | 69 |         |      |    | 1500              | x             | x  |
|                     |                     |        |      |                         |                        |                 |      |    | 8       | 1500 | 70 |                   |               |    |
| <b>32.0325P1500</b> | PV-KST4-EVO 2A/10II |        | x    | 6.4-8.4                 | 6.5                    | 10              | 1500 | 69 |         |      |    | 1500              | x             | x  |
|                     |                     |        |      |                         |                        |                 |      |    | 8       | 1500 | 70 |                   |               |    |

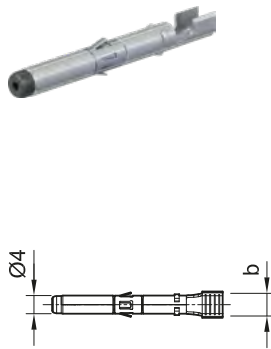
# Female and male panel receptacle MC4-Evo 2

Female and male panel receptacles as individual part (including insulating part)

## PV-ADB4-EVO 2A/...



## PV-ADS4-EVO 2A/...



Sealing caps see catalog tools and accessories, page 21

Tools see catalog tools and accessories, page 4 – 16

[www.staubli.com/re-downloads.html](http://www.staubli.com/re-downloads.html) → English → Catalog → Tools and accessories



Assembly instructions see MA713

[www.staubli.com/re-downloads.html](http://www.staubli.com/re-downloads.html) → English → Assembly info → MA713

MC4-Evo 2 panel-receptacle connectors are the interface between the inverter or the distributor housing and string. Assembly directly via the threads or in the perforated plate with the plastic nut (contained in

scope of delivery). Thanks to the D-shape thread the connection is secured against twisting. For 1500 DC V (IEC), 1500 DC V (UL) approved without constraints. Degree of protection IP65/IP68 (1 m, 1 h) guarantees

highest connection safety. Fast and clean connection. Plug compatible with the original MC4 plug connector family. With preassembled flat seal.

| Technical data                                                 |                                               |
|----------------------------------------------------------------|-----------------------------------------------|
| Connector system                                               | Ø 4 mm                                        |
| Ambient temperature range                                      | -40 °C...+85 °C (IEC)<br>-40 °C...+90 °C (UL) |
| Upper limiting temperature                                     | 115 °C                                        |
| Degree of protection, mated                                    | IP65/IP68 (1 m, 1 h)                          |
| Degree of protection, unmated                                  | IP2X                                          |
| Overvoltage category                                           | III                                           |
| Locking system                                                 | Locking type                                  |
| Contact system                                                 | MULTILAM                                      |
| Type of termination                                            | Crimping                                      |
| Contact material                                               | Copper, tin plated                            |
| Insulation material                                            | PA                                            |
| Flame class                                                    | UL94-V0                                       |
| TÜV Rheinland certified according to IEC 62852:2014+Amd.1:2020 | R 60127171                                    |
| UL recognized component in accordance with UL6703              | E343181                                       |
| Maximum altitude above sea level for operation                 | 5000 m                                        |
| Temperature level according to IEC TS 63126                    | Level 2                                       |

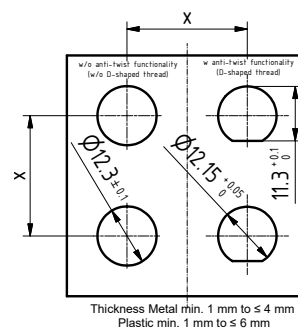
| Order No.    | Type               | Socket | Plug | Width of crimp opening | IEC 62852       |      |    | UL 6703 |      |    | Approvals     |    |
|--------------|--------------------|--------|------|------------------------|-----------------|------|----|---------|------|----|---------------|----|
|              |                    |        |      |                        | mm <sup>2</sup> | DC V | A  | AWG     | DC V | A  | TÜV Rheinland | UR |
| 32.0344P0001 | PV-ADB4-EVO 2A/2.5 | x      |      | 4.0                    | 2.5             | 1500 | 32 |         |      |    | x             | x  |
|              |                    |        |      |                        |                 |      |    | 14      | 1500 | 30 |               |    |
| 32.0345P0001 | PV-ADS4-EVO 2A/2.5 |        | x    | 4.0                    | 2.5             | 1500 | 32 |         |      |    | x             | x  |
|              |                    |        |      |                        |                 |      |    | 14      | 1500 | 30 |               |    |
| 32.0346P0001 | PV-ADB4-EVO 2A/6   | x      |      | 5.8                    | 4               | 1500 | 42 |         |      |    | x             | x  |
|              |                    |        |      |                        | 6               | 1500 | 47 |         |      |    |               |    |
|              |                    |        |      |                        |                 |      |    | 12      | 1500 | 35 |               |    |
|              |                    |        |      |                        |                 |      |    | 10      | 1500 | 50 |               |    |
| 32.0347P0001 | PV-ADS4-EVO 2A/6   |        | x    | 5.8                    | 4               | 1500 | 42 |         |      |    | x             | x  |
|              |                    |        |      |                        | 6               | 1500 | 47 |         |      |    |               |    |
|              |                    |        |      |                        |                 |      |    | 12      | 1500 | 35 |               |    |
|              |                    |        |      |                        |                 |      |    | 10      | 1500 | 50 |               |    |
| 32.0352P0001 | PV-ADB4-EVO 2A/10  | x      |      | 6.5                    | 10              | 1500 | 62 |         |      |    | x             | x  |
|              |                    |        |      |                        |                 |      |    | 8       | 1500 | 70 |               |    |
| 32.0353P0001 | PV-ADS4-EVO 2A/10  |        | x    | 6.5                    | 10              | 1500 | 62 |         |      |    | x             | x  |
|              |                    |        |      |                        |                 |      |    | 8       | 1500 | 70 |               |    |

**Note:**

For more detailed information concerning the suitable cable gland range, please consult MA713

**Note**

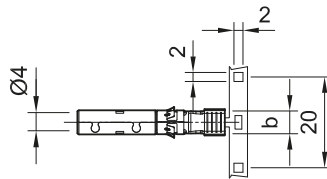
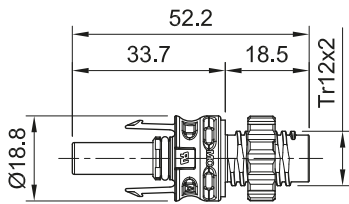
When using panel receptacles in housings (e.g. inverter maker) confirm that the minimum plastic wall thickness shall be between 1 mm and 6 mm; on metal housings, wall thickness shall be between 1 mm and 4 mm. In case of wall thickness undercut or exceedance, the panel receptacle usage in the end-application has to be verified by the installer.



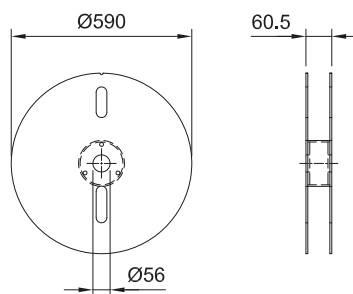
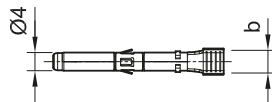
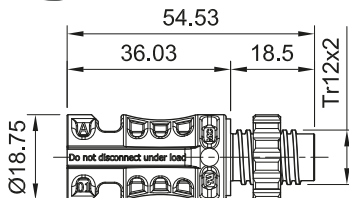
# Female and male panel receptacle MC4-Evo 2

Contacts on carrier band (including insulating part)

PV-ADB4-EVO 2A/...



PV-ADS4-EVO 2A/...



Sealing caps see catalog tools and accessories, page 21

Tools see catalog tools and accessories, page 4 – 16

[www.staubli.com/re-downloads.html](http://www.staubli.com/re-downloads.html) → English → Catalog → Tools and accessories



Assembly instructions see MA713

[www.staubli.com/re-downloads.html](http://www.staubli.com/re-downloads.html) → English → Assembly info → MA713

MC4-Evo 2 panel-receptacle connectors are the interface between the inverter or the distributor housing and string. Assembly directly via the threads or in the perforated plate with the plastic nut (contained in

scope of delivery). Thanks to the D-shape thread the connection is secured against twisting. For 1500 DC V(IEC), 1500 DC V (UL) approved without constraints. Degree of protection IP65/IP68 (1 m, 1 h) guarantees

highest connection safety. Fast and clean connection. Plug compatible with the original MC4 plug connector family. With preassembled flat seal.

| Technical data                                                 |                                               |
|----------------------------------------------------------------|-----------------------------------------------|
| Connector system                                               | Ø 4 mm                                        |
| Ambient temperature range                                      | -40 °C...+85 °C (IEC)<br>-40 °C...+90 °C (UL) |
| Upper limiting temperature                                     | 115 °C                                        |
| Degree of protection, mated                                    | IP65/IP68 (1 m, 1 h)                          |
| Degree of protection, unmated                                  | IP2X                                          |
| Overvoltage category                                           | III                                           |
| Locking system                                                 | Locking type                                  |
| Contact system                                                 | MULTILAM                                      |
| Type of termination                                            | Crimping                                      |
| Contact material                                               | Copper, tin plated                            |
| Insulation material                                            | PA                                            |
| Flame class                                                    | UL94-V0                                       |
| TÜV Rheinland certified according to IEC 62852:2014+Amd.1:2020 | R 60127171                                    |
| UL recognized component in accordance with UL6703              | E343181                                       |
| Maximum altitude above sea level for operation                 | 5000 m                                        |
| Temperature level according to IEC TS 63126                    | Level 2                                       |

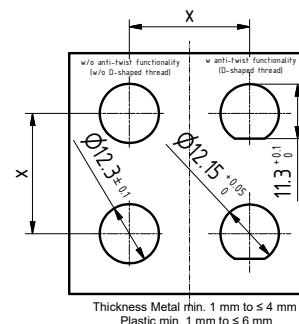
| Order No.    | Type               | Socket | Plug | Width of crimp opening<br>b (mm) | IEC 62852       |      |    | UL 6703 |      |    | Contacts per reel | Approvals     |    |
|--------------|--------------------|--------|------|----------------------------------|-----------------|------|----|---------|------|----|-------------------|---------------|----|
|              |                    |        |      |                                  | mm <sup>2</sup> | DC V | A  | AWG     | DC V | A  |                   | TÜV Rheinland | UR |
| 32.0344P2000 | PV-ADB4-EVO 2A/2.5 | x      |      | 4.0                              | 2.5             | 1500 | 32 |         |      |    | 2000              | x             | x  |
|              |                    |        |      |                                  |                 |      |    | 14      | 1500 | 30 |                   |               |    |
| 32.0345P2000 | PV-ADS4-EVO 2A/2.5 |        | x    | 4.0                              | 2.5             | 1500 | 32 |         |      |    | 2000              | x             | x  |
|              |                    |        |      |                                  |                 |      |    | 14      | 1500 | 30 |                   |               |    |
| 32.0346P2000 | PV-ADB4-EVO 2A/6   | x      |      | 5.8                              | 4               | 1500 | 42 |         |      |    | 2000              | x             | x  |
|              |                    |        |      |                                  | 6               | 1500 | 47 |         |      |    |                   |               |    |
|              |                    |        |      |                                  |                 |      |    | 12      | 1500 | 35 |                   |               |    |
|              |                    |        |      |                                  |                 |      |    | 10      | 1500 | 50 |                   |               |    |
| 32.0347P2000 | PV-ADS4-EVO 2A/6   |        | x    | 5.8                              | 4               | 1500 | 42 |         |      |    | 2000              | x             | x  |
|              |                    |        |      |                                  | 6               | 1500 | 47 |         |      |    |                   |               |    |
|              |                    |        |      |                                  |                 |      |    | 12      | 1500 | 35 |                   |               |    |
|              |                    |        |      |                                  |                 |      |    | 10      | 1500 | 50 |                   |               |    |
| 32.0352P1500 | PV-ADB4-EVO 2A/10  | x      |      | 6.5                              | 10              | 1500 | 62 |         |      |    | 1500              | x             | x  |
|              |                    |        |      |                                  |                 |      |    | 8       | 1500 | 70 |                   |               |    |
| 32.0353P1500 | PV-ADS4-EVO 2A/10  |        | x    | 6.5                              | 10              | 1500 | 62 |         |      |    | 1500              | x             | x  |
|              |                    |        |      |                                  |                 |      |    | 8       | 1500 | 70 |                   |               |    |

**Note:**

For more detailed information concerning the suitable cable gland range, please consult MA713

**Note**

When using panel receptacles in housings (e.g. inverter maker) confirm that the minimum plastic wall thickness shall be between 1 mm and 6 mm; on metal housings, wall thickness shall be between 1 mm and 4 mm. In case of wall thickness undercut or exceedance, the panel receptacle usage in the end-application has to be verified by the installer.





● Stäubli Units ○ Representatives/Agents

# Global presence of the Stäubli Group

[www.staubli.com](http://www.staubli.com)

## 丸紅エレクトロニクス株式会社

〒530-0003 大阪市北区堂島1丁目6番20号 TEL : 06-6344-2111 FAX : 06-6346-6611  
URL : <https://www.m-elenext.co.jp>

特殊部品カンパニー

新横浜支店 (045-474-9524) ・名古屋支店 (052-201-7071) ・大阪支店 (06-7656-3690)

事業所

仙台支店 ・ 関東支店 川越オフィス ・ 関東支店 新横浜オフィス ・ 浜松支店 ・ 名古屋支店 ・ 北陸出張所 (富山)  
京滋支店 (京都) ・ 大阪支店 ・ 姫路支店 ・ 四国支店 (高松) ・ 九州支店 (福岡)

**Marubeni**  
**Ele-Next**

