

# GAMVED

CAPTRON

series10

the revolution in HMI technologies



EN

IO-Link

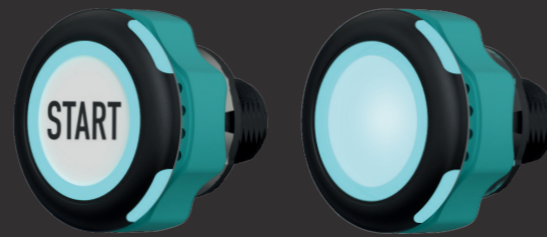
eHEDG

CS US

## TAKE YOUR PRODUCTION TO THE NEXT LEVEL

Today, production is fast-paced and doesn't leave any time for mistakes: Manufacturers have to ensure the lowest possible machine downtimes. They depend on the installed components to work reliably and properly – with the most simple, intuitive, and above all ergonomic operation possible. After all, in Industry 4.0, the most important resource remains the person behind the machine.

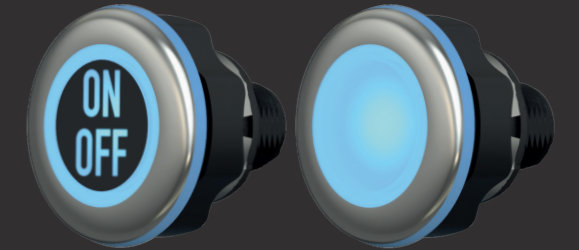
We provide support in all these challenges: As a new standard for human machine interfaces (HMI), our capacitive **SENSOR**buttons and signal lamps offer maximum flexibility. They can be custom-configured (including with IO-Link) and easily integrated into existing system architectures. Our buttons are designed for demanding industrial applications and can also be operated with work gloves allowing the **SENSOR**buttons to support your specialists in every situation.



## MAXIMUM HYGIENE IN THE FOOD AND BEVERAGE INDUSTRY

The food and beverage industry has very high standards in terms of hygiene. Companies have to meet strict legal requirements to guarantee end consumer safety. They need components enabling uncomplicated cleaning that support them in implementing current industry standards.

This is where CANEO series10 buttons and signal lamps made of high-quality stainless steel come into play, with their hygienic, rounded design. They feature a special foodgrade seal that prevents cleaning agents, food waste, and viruses from seeping through and accumulating. In our solution, hygiene is the top priority, evidenced by our certification to FDA – making the CANEO series10 by CAPTRON a pioneer in the industry.

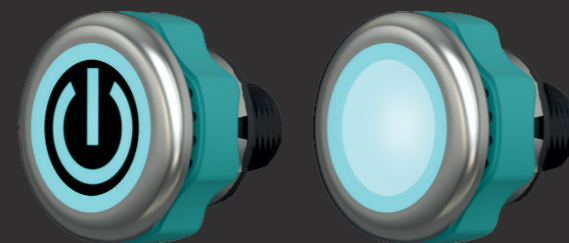


## SWITCH TO ROBUST BUILDING TECHNOLOGY

Whether to control doors or operate elevators, plants, and machines:

Buttons implemented in building technology are subjected to a number of actuations and high loads each and every day. Furthermore, they have to comply with hygiene concepts in order to contain the spread of viruses, calling for materials that reduce the risk of transmission while also withstanding intensive cleaning processes.

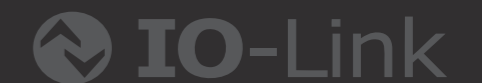
The CANEO series10 from CAPTRON meets these daily requirements in building technology. The buttons and signal lamps seamlessly complement existing HMI systems and, thanks to their capacitive principle, they feature an extremely long service life of over one-hundred million switching cycles. Their stainless steel design ensures good durability in day-to-day use. An especially easy-to-clean special surface also reduces the spread of viruses.



## FLEXIBLE USE WITH OR WITHOUT IO-LINK

IO-Link plays a major role in driving developments in Industry 4.0: This technology is revolutionizing communication on the field level, improving various machine functions with extensive data processing. IO-Link has the potential to boost company efficiency and productivity for the long term.

This is why we at CAPTRON rely on this trend-setting technology. All products from CANEO series10 are IO-Link capable on delivery. Depending on your needs,



we take care of pre-configuration at no additional cost. As a result, users no longer have to perform configuration on site – but can still do so optionally (with IO-Link Master).

To offer you maximum flexibility, the buttons can also be used without IO-Link: The LEDs can be actuated via inputs depending on the configuration. The outputs are in line with industry standards (PNP, NPN, pushpull). On request, we can provide you with the IO-Link Master via USB for reprogramming (PC required).

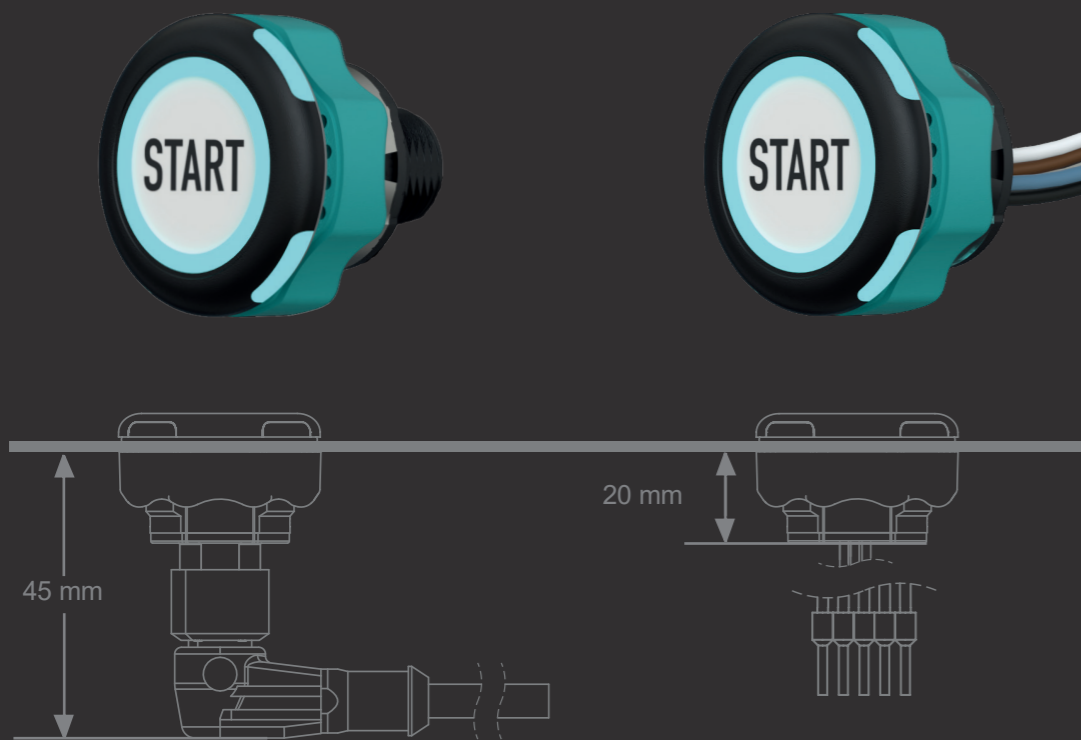
## HMI HAS NEVER LOOKED BETTER

The new HMI standard capacitive button combines innovative design with the possibility to freely configure all function parameters via IO-Link – from switch sensitivity, actuation type, minimum actuation time, to choosing the right fluorescent colors from 16 million options.

The CANEO series10 can be flexibly integrated into networked environments, offering major benefits for all HMI applications covering a wide range of requirements: from industrial automation and machine engineering to robotics all the way to building technology. The product family is available in three housing variants, each as a button or signal lamp: CANEO series10 Standard, CANEO series10 Stainless Steel and CANEO series10 Hygienic. All versions can be configured with M12 plug or stranded wire connection.

## FOR APPLICATIONS REQUIRING LOW MOUNTING DEPTH: CANEO SERIES10 WITH STRANDED WIRE CONNECTION

The CANEO series10 button and signal indicator can now be configured with stranded wire connection. Ideal for small installation areas: behind panels in production and for compact machine installations, thanks to the low installation depth of 20 millimeters and the hidden cable routing. This button fits in all industrial applications and is a true all-rounder.



For more information visit [series10.captron.com](https://series10.captron.com)

## BENEFITS OF THE CANEO SERIES10 PRODUCT FAMILY



### MINIMIZES PARTS AND STOCK ORDERS FOR UNLIMITED APPLICATIONS

Thanks to their ability to be custom-configured, the CANEO series10 can be used for a wide range of requirements – including special applications. Spare yourself the time-consuming process of placing orders for different individual parts, reducing your inventory and expenses.

### RELIABLE, STREAMLINED, AND COST-OPTIMIZED WORKFLOWS

The sensor fusion technology makes the CANEO series10 water-resistant, reducing accidental actuations due to water, such as splash or cleaning water. You can set three water intensity levels:

- Basic: Activation due to e.g. light rain or dripping water unlikely.
- Enhanced: Activation due to water jet or pressure washer unlikely. No restrictions to operation, activation by water possible in case of difficult lighting conditions.
- Ultimate: Significant decrease in likelihood of activation due to water jet or pressure washer. Possible restriction to operation in case of difficult lighting conditions.

The CANEO series10 not only ensures reliable operation, but also streamlined, cost-optimized workflows.



### SAVES TIME AND MONEY FOR MAINTENANCE AND REPLACEMENT

The CANEO series10 is robust and extremely long-lasting thanks to its capacitive technology that buttons on contact and enables over 100 million switching cycles, as well as its fully molded electronics that make it impossible for dust and dirt to penetrate the housing. This saves time and money for maintenance and replacement.



### TOUCH SURFACE SYMBOL TAILORED TO YOUR SPECIFIC APPLICATION

The innovative lighting concept consisting of 16 million fluorescent colors and the free selection of symbols and pictograms offer numerous options to tailor the CANEO series10 displays to your individual needs.



### FLEXIBLE INTEGRATION IN ANY SYSTEM ARCHITECTURE IN USE

CANEO series10 buttons can be flexibly integrated into connected Industry 4.0 environments. They offer crucial advantages for all HMI applications, whether in industrial automation, machine engineering, robotics, or building technology. The buttons can be actuated via a wide range of interfaces (PNP, NPN, push-pull) even without IO-Link and can act as both status indicators and SENSORbuttons.

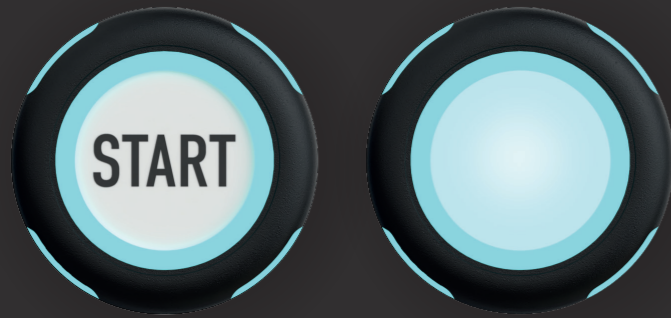


### INTEGRATED INTELLIGENT SELF-DIAGNOSIS FUNCTION

The CANEO series10 offers self-diagnosis functions, enabling new, preventive repair and maintenance concepts and increasing the productivity of your machines.

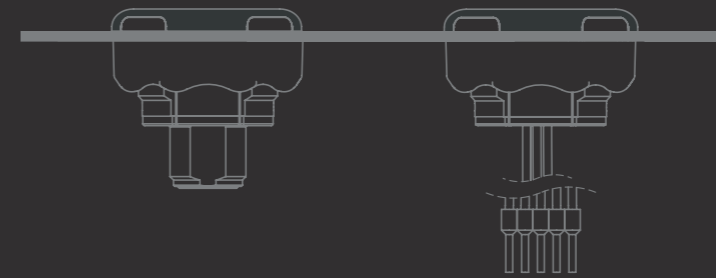
YOU HAVE THE CHOICE: AS BUTTON OR SIGNAL LAMP IN THREE HOUSING VARIANTS WITH M12 PLUG OR STRANDED WIRE CONNECTION

**CANEO SERIES10 STANDARD**  
**CANEO SERIES10 STANDARD SIGNAL**



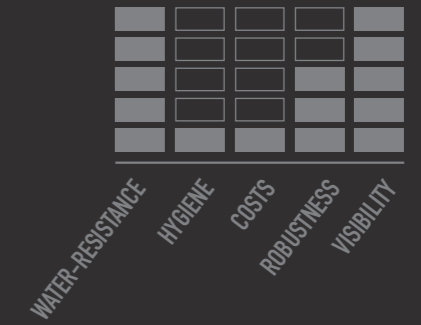
**360° VISIBILITY OF THE SWITCHING STATE HELPS KEEP OPERATORS INFORMED**

Four lateral spotlights make sure operators can see the switching state of the CANEO series10 Standard.

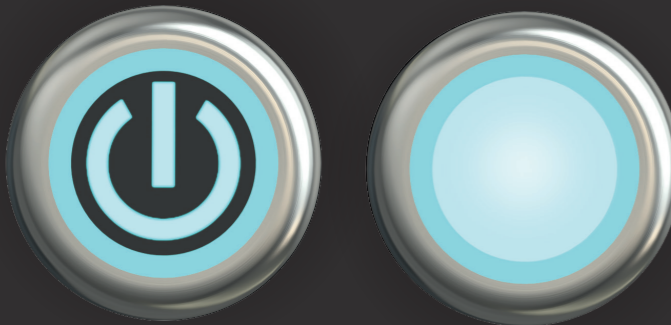


M12 plug

stranded wire

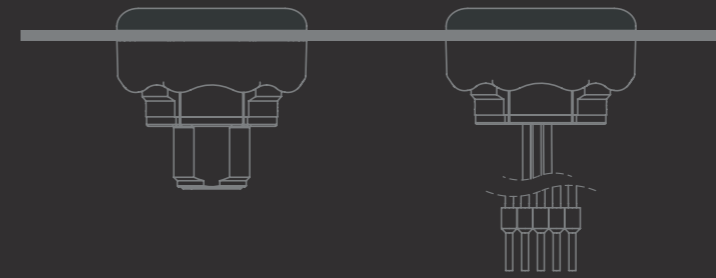


**CANEO SERIES10 STAINLESS STEEL**  
**CANEO SERIES10 STAINLESS STEEL SIGNAL**



**THE STAINLESS STEEL HOUSING ENSURES MAXIMUM ROBUSTNESS**

The sensor cannot be destroyed by strong blows, as it is fully molded in special resin.



M12 plug

stranded wire

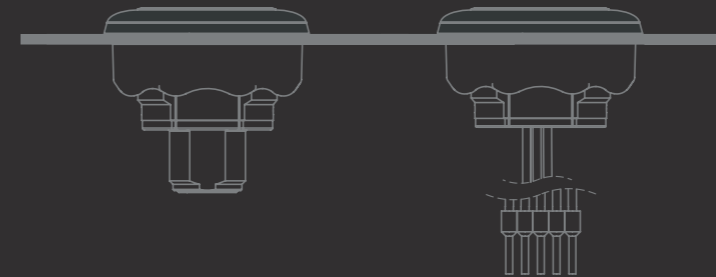


**CANEO SERIES10 HYGIENIC**  
**CANEO SERIES10 HYGIENIC SIGNAL**



**MEETS THE HIGHEST OF HYGIENE STANDARDS AS THE FIRST EHEDG-CERTIFIED BUTTON**

The CANEO series10 Hygienic is the first EHEDG-certified button. It also meets FDA requirements, making it perfect for all industries with high requirements for hygienic cleaning, such as the food & beverages and medicine & pharmaceuticals sectors.



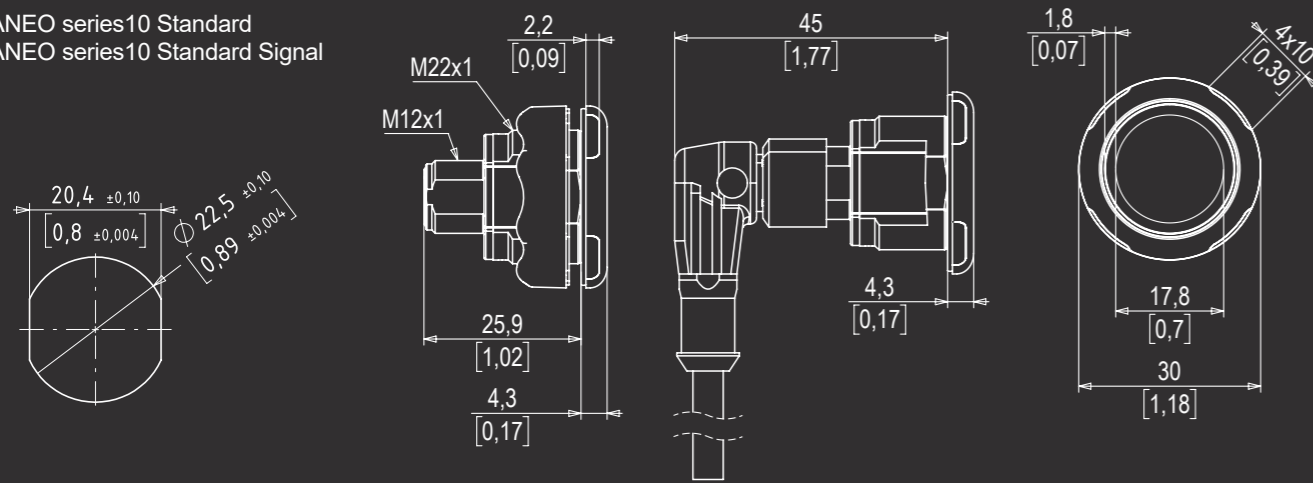
M12 plug

stranded wire



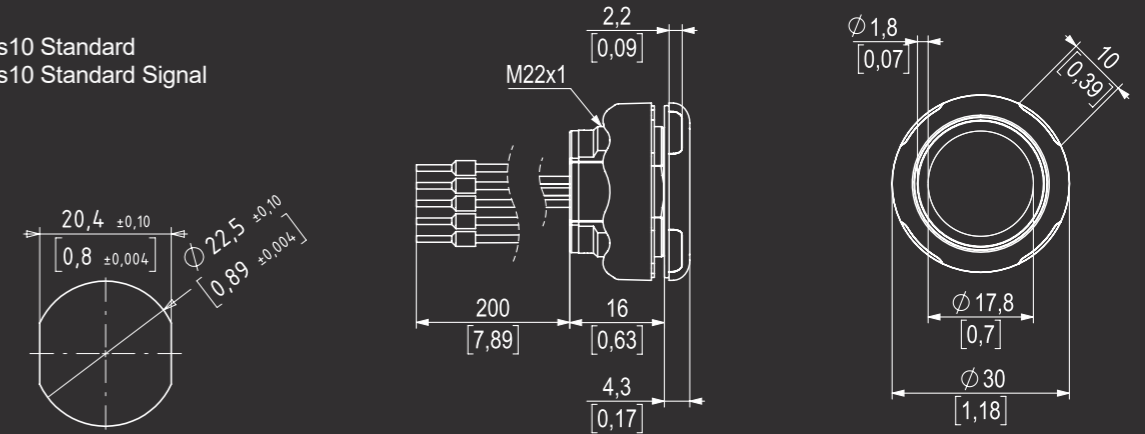
**DIMENSION DRAWINGS M12 PLUG**

CANEO series10 Standard  
CANEO series10 Standard Signal

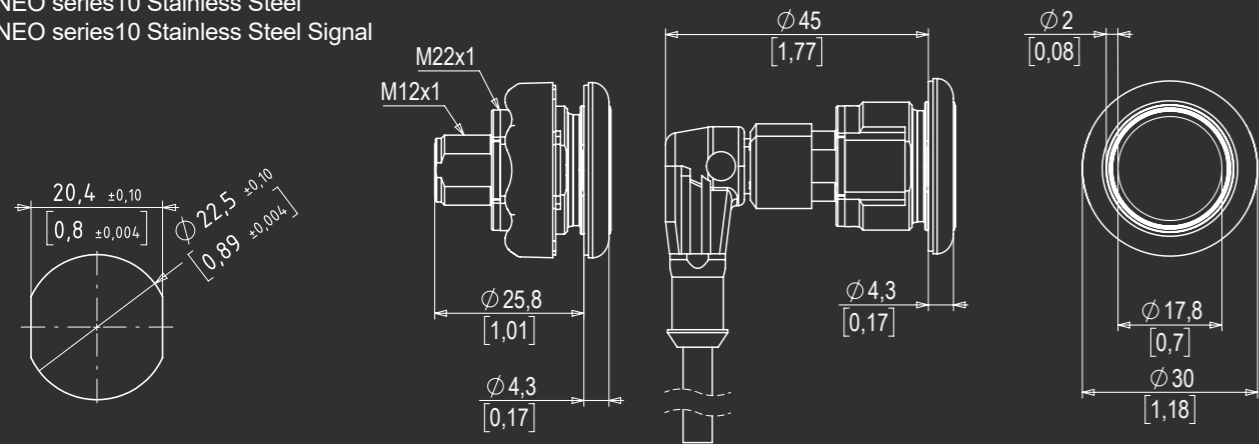


**DIMENSION DRAWINGS STRANDED WIRE**

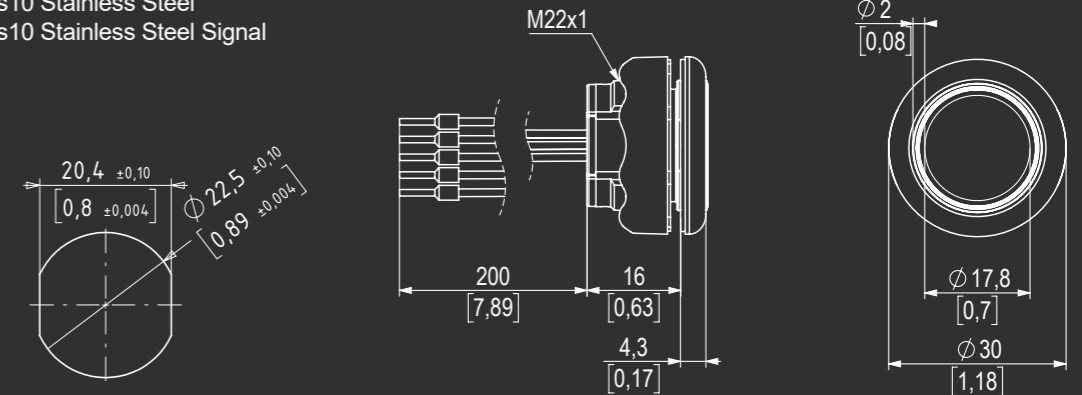
CANEO series10 Standard  
CANEO series10 Standard Signal



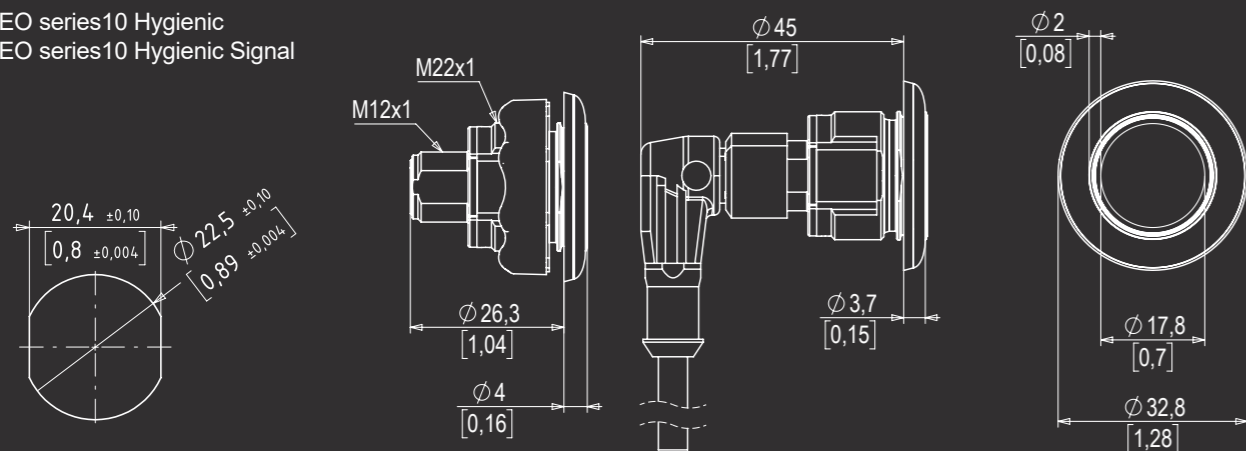
CANEO series10 Stainless Steel  
CANEO series10 Stainless Steel Signal



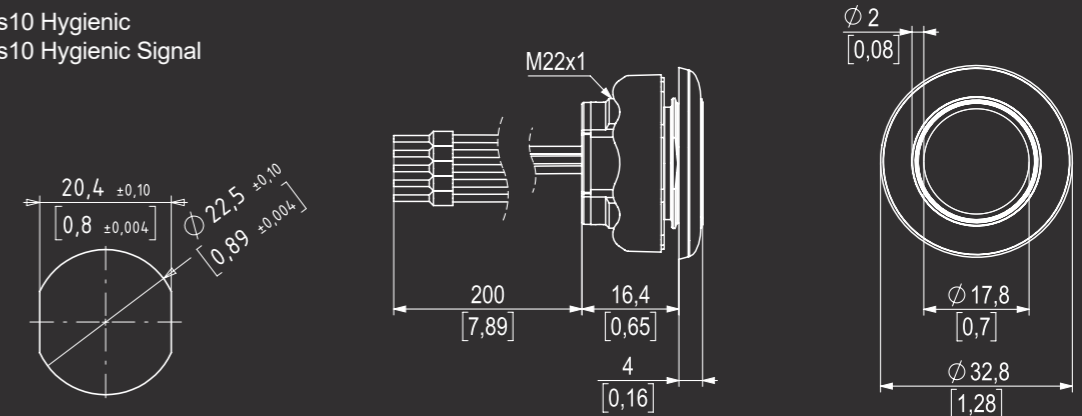
CANEO series10 Stainless Steel  
CANEO series10 Stainless Steel Signal



CANEO series10 Hygienic  
CANEO series10 Hygienic Signal



CANEO series10 Hygienic  
CANEO series10 Hygienic Signal



All dimensions in mm. Imperial measurements in square brackets.  
Connecting cables M12 available as accessory.

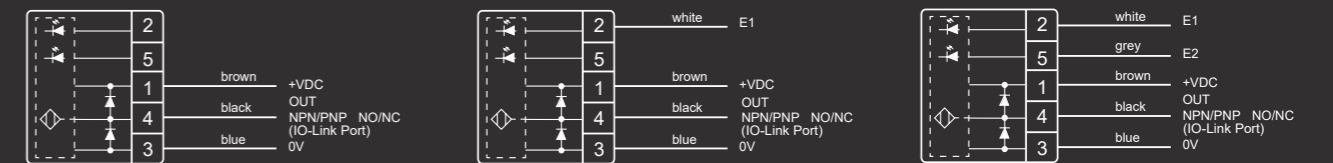
**TECHNICAL SPECIFICATIONS AT 24 V AND 20 °C**

Operating voltage	DC 24 V (8,4...32 V)
Load current	Max. 200 mA
Output	PNP-NO, PNP-NC, NPN-NO, NPN-NC
Communications interface	IO-Link specification V1.1
Control voltage E1/E2	on 80 % UV+ off 0...20 % UV+
Output pulse duration	Adjustable
Reverse polarity protection	Protection of all cables/lines
Short circuit protection	Protected against short circuit and overload
Voltage drop	Max. 5 V at 200 mA
Power consumption at 24 V	Max. 40 mA
Operating temperature	-30 °C (-22 °F)...+65 °C (149 °F)
Degree of protection IP	Front IP69K
Degree of protection IK	IK08
Type of actuation	Capacitive
Actuation force	No actuation force required
Standards	DIN EN 61010 / DIN EN 60947-5-1
Housing material	PC transparent / TPU black / Stainless steel 1.4404

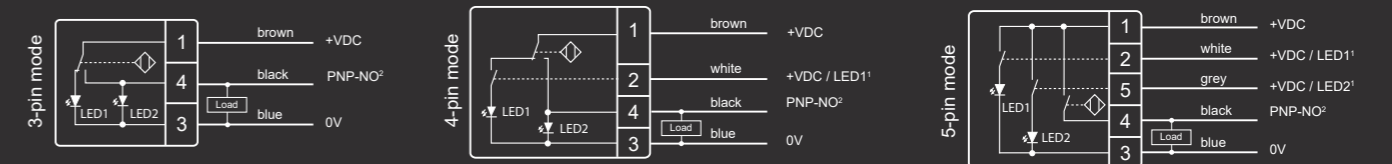
**PLUG ASSIGNMENT**



**PROGRAMMABLE CONNECTION OPTIONS**



**CLASSIC 2-LED MODE FOR OPERATION WITHOUT IO-LINK**



<sup>1</sup> LED actuation possible via V0 on request

<sup>2</sup> Additional outputs available on request or at [series10.captron.com](http://series10.captron.com)



ENQUIRE NOW

Meet the CANEO series4x, the big brother of the CANEO series10 with a larger touch surface and even greater possibilities.

## 丸紅エレネクスト株式会社

**Marubeni**  
Ele-Next



〒530-0003 大阪市北区堂島1丁目6番20号 TEL : 06-6344-2111 FAX : 06-6346-6611  
URL : <https://www.m-elenext.co.jp>

特殊部品カンパニー

新横浜支店 (045-474-9524) ・名古屋支店 (052-201-7071) ・大阪支店 (06-7656-3690)

事業所

仙台支店・関東支店 川越オフィス・関東支店 新横浜オフィス・浜松支店・名古屋支店・北陸出張所(富山)  
京滋支店(京都)・大阪支店・姫路支店・四国支店(高松)・九州支店(福岡)

HQ / Sales Germany  
CAPTRON Electronic GmbH

Johann-G.-Gutenberg-Str. 7  
D - 82140 Olching  
Fon: +49 8142 - 44 88 - 160  
[sales@captron.com](mailto:sales@captron.com)

[www.captron.de](http://www.captron.de)

